

## Ball point screws

Steel / Stainless Steel

### SPECIFICATION

#### Version in Steel

##### Types

- Type **A**: full ball
- Type **B**: flat ball
- Type **V**: flat ball, with swivel limiting stop
- Type **VR**: flat ball, with swivel limiting stop, corrugated

Steel

- Tensile strength class 10.9
- blackened

Ball

- hardened
- blank

#### Version in Stainless Steel

##### Types

- Type **AN**: full ball
- Type **BN**: flat ball
- Type **VN**: flat ball, with swivel limiting stop
- Type **VRN**: flat ball, with swivel limiting stop, corrugated

Screw

Stainless Steel AISI 304

Ball

Steel AISI 440C

hardened



### INFORMATION

Ball point screws GN 605 with full ball (Type A / Type AN) are used in applications where a ball point contact is required.

The flat faced moving ball (Type B/ Type BN) allows a clamping or supporting of non parallel surfaces.

The ball of Type V/VN/VR/VRN can be swivelled to a maximum of 9° to ensure that clamping is always maintained on the flat section of the ball.

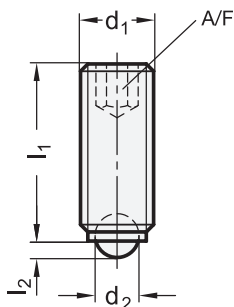
### ON REQUEST

- Ball point screws with (full) plastic ball (Type AK)

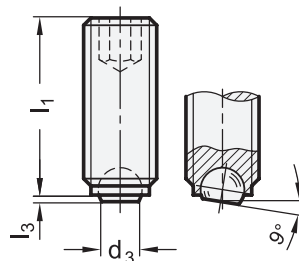
### TECHNICAL INFORMATION

- Stainless Steel characteristics (see page A26)
- Strength values of screws (see page A20)

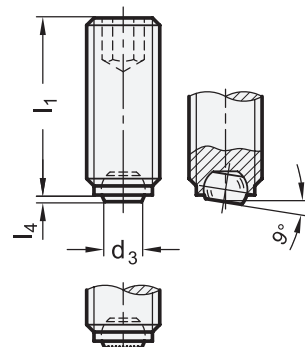
Type A / AN




Type B / BN




Type V / VN  
Type VR / VRN



GN 605-A/B

Description	d1	l1	d2	d3	l2 ≈	l3 ≈	A/F	Static load in N	
GN 605-M4-6-A	M 4	6	2.5	-	0.8	-	2	3500	1
GN 605-M4-10-A	M 4	10	2.5	-	0.8	-	2	3500	1
GN 605-M4-16-A	M 4	16	2.5	-	0.8	-	2	3500	1
GN 605-M5-8-A	M 5	8	3	-	1.0	-	2.5	5000	1
GN 605-M5-12-A	M 5	12	3	-	1.0	-	2.5	5000	1
GN 605-M5-20-A	M 5	20	3	-	1.0	-	2.5	5000	2
GN 605-M6-10-A	M 6	10	4	-	1.3	-	3	9000	2
GN 605-M6-16-A	M 6	16	4	-	1.3	-	3	9000	3
GN 605-M6-20-A	M 6	20	4	-	1.3	-	3	9000	3
GN 605-M6-25-A	M 6	25	4	-	1.3	-	3	9000	4
GN 605-M8-10-A	M 8	10	5.5	-	1.8	-	4	15000	3
GN 605-M8-12-A	M 8	12	5.5	-	1.8	-	4	15000	3
GN 605-M8-20-A	M 8	20	5.5	-	1.8	-	4	15000	5
GN 605-M8-25-A	M 8	25	5.5	-	1.8	-	4	15000	8
GN 605-M8-30-A	M 8	30	5.5	-	1.8	-	4	15000	9
GN 605-M10-12-A	M 10	12	7	-	2.3	-	5	24000	5
GN 605-M10-16-A	M 10	16	7	-	2.3	-	5	24000	7
GN 605-M10-20-A	M 10	20	7	-	2.3	-	5	24000	9
GN 605-M10-25-A	M 10	25	7	-	2.3	-	5	24000	11
GN 605-M10-35-A	M 10	35	7	-	2.3	-	5	24000	16
GN 605-M12-16-A	M 12	16	8.5	-	2.8	-	6	30000	10
GN 605-M12-20-A	M 12	20	8.5	-	2.8	-	6	30000	10
GN 605-M12-30-A	M 12	30	8.5	-	2.8	-	6	30000	15
GN 605-M12-40-A	M 12	40	8.5	-	2.8	-	6	30000	24
GN 605-M16-20-A	M 16	20	12	-	4.3	-	8	73000	22
GN 605-M16-25-A	M 16	25	12	-	4.3	-	8	73000	28
GN 605-M16-35-A	M 16	35	12	-	4.3	-	8	73000	41
GN 605-M16-50-A	M 16	50	12	-	4.3	-	8	73000	59
GN 605-M4-6-B	M 4	6	-	2	-	0.3	2	3500	1
GN 605-M4-10-B	M 4	10	-	2	-	0.3	2	3500	1
GN 605-M4-16-B	M 4	16	-	2	-	0.3	2	3500	2
GN 605-M5-8-B	M 5	8	-	2.5	-	0.4	2.5	5000	7
GN 605-M5-12-B	M 5	12	-	2.5	-	0.4	2.5	5000	1
GN 605-M5-20-B	M 5	20	-	2.5	-	0.4	2.5	5000	2
GN 605-M6-10-B	M 6	10	-	3.2	-	0.6	3	9000	2
GN 605-M6-16-B	M 6	16	-	3.2	-	0.6	3	9000	2
GN 605-M6-20-B	M 6	20	-	3.2	-	0.6	3	9000	3
GN 605-M6-25-B	M 6	25	-	3.2	-	0.6	3	9000	4
GN 605-M8-10-B	M 8	10	-	4.5	-	0.8	4	15000	3
GN 605-M8-12-B	M 8	12	-	4.5	-	0.8	4	15000	3
GN 605-M8-20-B	M 8	20	-	4.5	-	0.8	4	15000	5
GN 605-M8-25-B	M 8	25	-	4.5	-	0.8	4	15000	6
GN 605-M8-30-B	M 8	30	-	4.5	-	0.8	4	15000	9
GN 605-M10-12-B	M 10	12	-	6	-	0.8	5	24000	5
GN 605-M10-16-B	M 10	16	-	6	-	0.8	5	24000	7
GN 605-M10-20-B	M 10	20	-	6	-	0.8	5	24000	9
GN 605-M10-25-B	M 10	25	-	6	-	0.8	5	24000	11
GN 605-M10-35-B	M 10	35	-	6	-	0.8	5	24000	16
GN 605-M12-16-B	M 12	16	-	7.2	-	1	6	30000	10
GN 605-M12-20-B	M 12	20	-	7.2	-	1	6	30000	13
GN 605-M12-30-B	M 12	30	-	7.2	-	1	6	30000	20
GN 605-M12-40-B	M 12	40	-	7.2	-	1	6	30000	28
GN 605-M16-20-B	M 16	20	-	10.7	-	1.3	8	73000	22
GN 605-M16-25-B	M 16	25	-	10.7	-	1.3	8	73000	28
GN 605-M16-35-B	M 16	35	-	10.7	-	1.3	8	73000	41
GN 605-M16-50-B	M 16	50	-	10.7	-	1.3	8	73000	48

GN 605-V/VR

Description	d1	l1	d3	l4 ≈	A/F	
GN 605-M6-10-V	M 6	10	3.2	0.45	3	1
GN 605-M6-16-V	M 6	16	3.2	0.45	3	2
GN 605-M6-20-V	M 6	20	3.2	0.45	3	3
GN 605-M6-25-V	M 6	25	3.2	0.45	3	4
GN 605-M8-10-V	M 8	10	4.5	0.5	4	2
GN 605-M8-12-V	M 8	12	4.5	0.5	4	3
GN 605-M8-20-V	M 8	20	4.5	0.5	4	5
GN 605-M8-25-V	M 8	25	4.5	0.5	4	7
GN 605-M8-30-V	M 8	30	4.5	0.5	4	8
GN 605-M10-12-V	M 10	12	6	0.6	5	4
GN 605-M10-16-V	M 10	16	6	0.6	5	6
GN 605-M10-20-V	M 10	20	6	0.6	5	8
GN 605-M10-25-V	M 10	25	6	0.6	5	10
GN 605-M10-35-V	M 10	35	6	0.6	5	15
GN 605-M12-16-V	M 12	16	7.2	0.75	6	8
GN 605-M12-20-V	M 12	20	7.2	0.75	6	11
GN 605-M12-30-V	M 12	30	7.2	0.75	6	18
GN 605-M12-40-V	M 12	40	7.2	0.75	6	25
GN 605-M16-20-V	M 16	20	10.7	1.0	8	20
GN 605-M16-25-V	M 16	25	10.7	1.0	8	27
GN 605-M16-35-V	M 16	35	10.7	1.0	8	40
GN 605-M16-50-V	M 16	50	10.7	1.0	8	59
GN 605-M6-10-VR	M 6	10	3.2	0.45	3	1
GN 605-M6-16-VR	M 6	16	3.2	0.45	3	2
GN 605-M6-20-VR	M 6	20	3.2	0.45	3	3
GN 605-M6-25-VR	M 6	25	3.2	0.45	3	4
GN 605-M8-10-VR	M 8	10	4.5	0.5	4	2
GN 605-M8-12-VR	M 8	12	4.5	0.5	4	3
GN 605-M8-20-VR	M 8	20	4.5	0.5	4	5
GN 605-M8-25-VR	M 8	25	4.5	0.5	4	7
GN 605-M8-30-VR	M 8	30	4.5	0.5	4	8
GN 605-M10-12-VR	M 10	12	6	0.6	5	4
GN 605-M10-16-VR	M 10	16	6	0.6	5	6
GN 605-M10-20-VR	M 10	20	6	0.6	5	8
GN 605-M10-25-VR	M 10	25	6	0.6	5	10
GN 605-M10-35-VR	M 10	35	6	0.6	5	15
GN 605-M12-16-VR	M 12	16	7.2	0.75	6	8
GN 605-M12-20-VR	M 12	20	7.2	0.75	6	11
GN 605-M12-30-VR	M 12	30	7.2	0.75	6	19
GN 605-M12-40-VR	M 12	40	7.2	0.75	6	25
GN 605-M16-20-VR	M 16	20	10.7	1.0	8	20
GN 605-M16-25-VR	M 16	25	10.7	1.0	8	27
GN 605-M16-35-VR	M 16	35	10.7	1.0	8	40
GN 605-M16-50-VR	M 16	50	10.7	1.0	8	59



Machine elements



Machine elements

**GN 605-AN/BN**
**STAINLESS STEEL**

Description	d1	l1	d2	d3	l2 ≈	l3 ≈	A/F	Static load in N	⚖️
GN 605-M4-6-AN	M 4	6	2.5	-	0.8	-	2	2040	1
GN 605-M4-10-AN	M 4	10	2.5	-	0.8	-	2	2040	1
GN 605-M4-16-AN	M 4	16	2.5	-	0.8	-	2	2040	1
GN 605-M5-8-AN	M 5	8	3	-	1.0	-	2.5	3000	1
GN 605-M5-12-AN	M 5	12	3	-	1.0	-	2.5	3000	1
GN 605-M5-20-AN	M 5	20	3	-	1.0	-	2.5	3000	2
GN 605-M6-10-AN	M 6	10	4	-	1.3	-	3	4500	2
GN 605-M6-16-AN	M 6	16	4	-	1.3	-	3	4500	3
GN 605-M6-20-AN	M 6	20	4	-	1.3	-	3	4500	3
GN 605-M6-25-AN	M 6	25	4	-	1.3	-	3	4500	4
GN 605-M8-10-AN	M 8	10	5.5	-	1.8	-	4	9000	3
GN 605-M8-12-AN	M 8	12	5.5	-	1.8	-	4	9000	3
GN 605-M8-20-AN	M 8	20	5.5	-	1.8	-	4	9000	6
GN 605-M8-25-AN	M 8	25	5.5	-	1.8	-	4	9000	6
GN 605-M8-30-AN	M 8	30	5.5	-	1.8	-	4	9000	6
GN 605-M10-12-AN	M 10	12	7	-	2.3	-	5	14400	5
GN 605-M10-16-AN	M 10	16	7	-	2.3	-	5	14400	7
GN 605-M10-20-AN	M 10	20	7	-	2.3	-	5	14400	9
GN 605-M10-25-AN	M 10	25	7	-	2.3	-	5	14400	11
GN 605-M10-35-AN	M 10	35	7	-	2.3	-	5	14400	16
GN 605-M12-16-AN	M 12	16	8.5	-	2.8	-	6	18000	10
GN 605-M12-20-AN	M 12	20	8.5	-	2.8	-	6	18000	13
GN 605-M12-30-AN	M 12	30	8.5	-	2.8	-	6	18000	20
GN 605-M12-40-AN	M 12	40	8.5	-	2.8	-	6	18000	25
GN 605-M16-20-AN	M 16	20	12	-	4.3	-	8	43800	22
GN 605-M16-25-AN	M 16	25	12	-	4.3	-	8	43800	28
GN 605-M16-35-AN	M 16	35	12	-	4.3	-	8	43800	41
GN 605-M16-50-AN	M 16	50	12	-	4.3	-	8	43800	48
GN 605-M4-6-BN	M 4	6	2.5	2	0.8	0.3	2	2040	38
GN 605-M4-10-BN	M 4	10	2.5	2	0.8	0.3	2	2040	1
GN 605-M4-16-BN	M 4	16	2.5	2	0.8	0.3	2	2040	1
GN 605-M5-8-BN	M 5	8	3	2.5	1.0	0.4	2.5	3000	2
GN 605-M5-12-BN	M 5	12	3	2.5	1.0	0.4	2.5	3000	2
GN 605-M5-20-BN	M 5	20	3	2.5	1.0	0.4	2.5	3000	2
GN 605-M6-10-BN	M 6	10	4	3.2	1.3	0.6	3	4500	1
GN 605-M6-16-BN	M 6	16	4	3.2	1.3	0.6	3	4500	2
GN 605-M6-20-BN	M 6	20	4	3.2	1.3	0.6	3	4500	3
GN 605-M6-25-BN	M 6	25	4	3.2	1.3	0.6	3	4500	4
GN 605-M8-10-BN	M 8	10	5.5	4.5	1.8	0.8	4	9000	2
GN 605-M8-12-BN	M 8	12	5.5	4.5	1.8	0.8	4	9000	3
GN 605-M8-20-BN	M 8	20	5.5	4.5	1.8	0.8	4	9000	5
GN 605-M8-25-BN	M 8	25	5.5	4.5	1.8	0.8	4	9000	7
GN 605-M8-30-BN	M 8	30	5.5	4.5	1.8	0.8	4	9000	8
GN 605-M10-12-BN	M 10	12	7	6	2.3	0.8	5	14400	4
GN 605-M10-16-BN	M 10	16	7	6	2.3	0.8	5	14400	6
GN 605-M10-20-BN	M 10	20	7	6	2.3	0.8	5	14400	8
GN 605-M10-25-BN	M 10	25	7	6	2.3	0.8	5	14400	10
GN 605-M10-35-BN	M 10	35	7	6	2.3	0.8	5	14400	15
GN 605-M12-16-BN	M 12	16	8.5	7.2	2.8	1.0	6	18000	8
GN 605-M12-20-BN	M 12	20	8.5	7.2	2.8	1.0	6	18000	11
GN 605-M12-30-BN	M 12	30	8.5	7.2	2.8	1.0	6	18000	19
GN 605-M12-40-BN	M 12	40	8.5	7.2	2.8	1.0	6	18000	25
GN 605-M16-20-BN	M 16	20	12	10.7	4.3	1.3	8	43800	20
GN 605-M16-25-BN	M 16	25	12	10.7	4.3	1.3	8	43800	27
GN 605-M16-35-BN	M 16	35	12	10.7	4.3	1.3	8	43800	40
GN 605-M16-50-BN	M 16	50	12	10.7	4.3	1.3	8	43800	59

**GN 605-VN/VRN**
**STAINLESS STEEL**

Description	d1	l1	d2	d3	l4 ≈	A/F	⚖️
GN 605-M6-10-VN	M 6	10	4	3.2	0.45	3	1
GN 605-M6-16-VN	M 6	16	4	3.2	0.45	3	2
GN 605-M6-20-VN	M 6	20	4	3.2	0.45	3	3
GN 605-M6-25-VN	M 6	25	4	3.2	0.45	3	4
GN 605-M8-10-VN	M 8	10	5.5	4.5	0.5	4	2
GN 605-M8-12-VN	M 8	12	5.5	4.5	0.5	4	3
GN 605-M8-20-VN	M 8	20	5.5	4.5	0.5	4	5
GN 605-M8-25-VN	M 8	25	5.5	4.5	0.5	4	7
GN 605-M8-30-VN	M 8	30	5.5	4.5	0.5	4	8
GN 605-M10-12-VN	M 10	12	7	6	0.6	5	4
GN 605-M10-16-VN	M 10	16	7	6	0.6	5	6
GN 605-M10-20-VN	M 10	20	7	6	0.6	5	8
GN 605-M10-25-VN	M 10	25	7	6	0.6	5	10
GN 605-M10-35-VN	M 10	35	7	6	0.6	5	15
GN 605-M12-16-VN	M 12	16	8.5	7.2	0.75	6	8
GN 605-M12-20-VN	M 12	20	8.5	7.2	0.75	6	11
GN 605-M12-30-VN	M 12	30	8.5	7.2	0.75	6	19
GN 605-M12-40-VN	M 12	40	8.5	7.2	0.75	6	25
GN 605-M16-20-VN	M 16	20	12	10.7	1.0	8	20
GN 605-M16-25-VN	M 16	25	12	10.7	1.0	8	27
GN 605-M16-35-VN	M 16	35	12	10.7	1.0	8	40
GN 605-M16-50-VN	M 16	50	12	10.7	1.0	8	59
GN 605-M6-10-VRN	M 6	10	4	3.2	0.45	3	1
GN 605-M6-16-VRN	M 6	16	4	3.2	0.45	3	2
GN 605-M6-20-VRN	M 6	20	4	3.2	0.45	3	3
GN 605-M6-25-VRN	M 6	25	4	3.2	0.45	3	4
GN 605-M8-10-VRN	M 8	10	5.5	4.5	0.5	4	2
GN 605-M8-12-VRN	M 8	12	5.5	4.5	0.5	4	3
GN 605-M8-20-VRN	M 8	20	5.5	4.5	0.5	4	5
GN 605-M8-25-VRN	M 8	25	5.5	4.5	0.5	4	7
GN 605-M8-30-VRN	M 8	30	5.5	4.5	0.5	4	8
GN 605-M10-12-VRN	M 10	12	7	6	0.6	5	4
GN 605-M10-16-VRN	M 10	16	7	6	0.6	5	6
GN 605-M10-20-VRN	M 10	20	7	6	0.6	5	8
GN 605-M10-25-VRN	M 10	25	7	6	0.6	5	10
GN 605-M10-35-VRN	M 10	35	7	6	0.6	5	15
GN 605-M12-16-VRN	M 12	16	8.5	7.2	0.75	6	8
GN 605-M12-20-VRN	M 12	20	8.5	7.2	0.75	6	11
GN 605-M12-30-VRN	M 12	30	8.5	7.2	0.75	6	19
GN 605-M12-40-VRN	M 12	40	8.5	7.2	0.75	6	25
GN 605-M16-20-VRN	M 16	20	12	10.7	1.0	8	20
GN 605-M16-25-VRN	M 16	25	12	10.7	1.0	8	27
GN 605-M16-35-VRN	M 16	35	12	10.7	1.0	8	40
GN 605-M16-50-VRN	M 16	50	12	10.7	1.0	8	59